

PC D235 A – AC 800PEC CIO-FU

Combined Input Output Data Sheet



PC
D235 A
Device

Features

- 16 Relay outputs
- 12 digital control inputs, 24V or 48V with two independent 24V polling voltage supplies
- 3 analog outputs, +/-10V
- 3 analog inputs, +/-10V or +/-20mA
- 3 interfaces to PT100 or PTC temperature sensors
- Isolated bender relay interface RS485
- 1 optical module interface with 3 optical links
- 4 system control LED's
- Independent watchdog function
- High Reliability
- Operation temperature range -25 to +70 °C

Highlights

The Combined Input Output device PC D235 A is a general purpose interface device which provides digital and analog inputs and outputs. Redundancy of all system interfaces by means of two PC D235 A devices is supported.

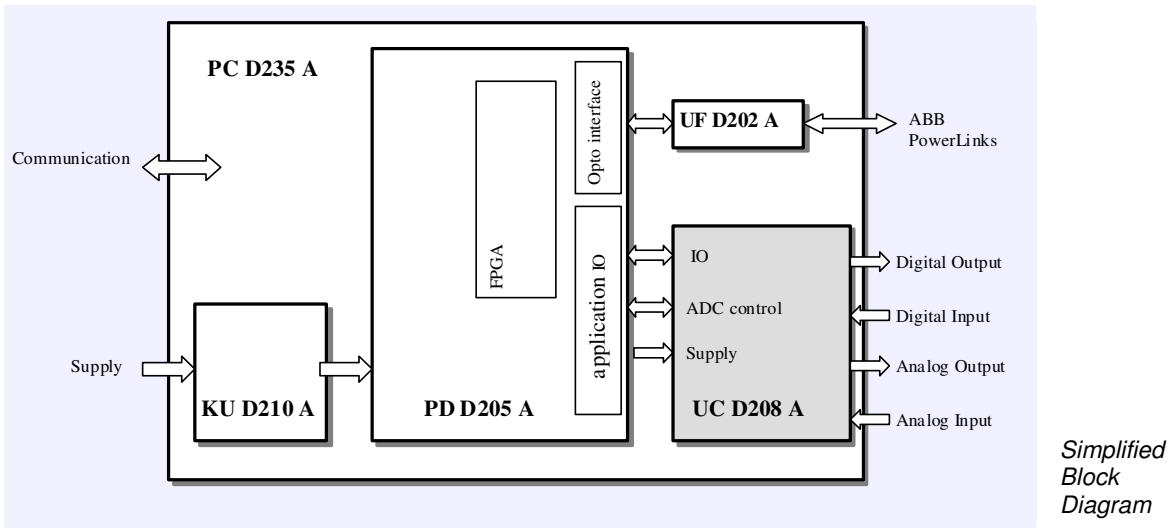
The device is based on the AC 800PEC control platform and includes the FPGA based control module PD D205 A, application interface board UC D208 A, power supply KU D210 A and one optical module UF D202 A.

The device is powered by a redundant 24 volt supply input.

Product Name	ABB Part Code	Ordering Code
AC 800PEC CIO-FU	PC D235 A101	3BHE032025R0101



Technical Data



Power Supply Inputs

- Redundant 24V 20 to 28V
- Max. supply current 2A

Communication

- RS 485 Isolated bender relay interface
- 10MBd Optical Link

Analog Inputs

- Input voltage range -10V...+10V
- Input current range -20mA...+20mA
- Burden resistance 50Ω
- Accuracy < 1% FSR
- Input bandwidth 2kHz

Analog Outputs

- Output voltage range -10V...+10V
- Max. output current 5mA
- Accuracy < 1% FSR

Temperature Inputs

- 3-Wire measurement
- Suitable sensor PTC and PT100
- Meas. range PT100 -40 to +240°C
- Accuracy PT100 < 1.5°C
- Switching resistance PTC 500Ω

Digital Inputs

- Isolated 24/48 volt
- Input Channels 2 groups of 6
- One polling voltage supply per group
- Input current typically 6mA
- Isolation test voltage 500V_{rms}
- Polling voltage 24V
- Max. current of polling voltage supply 85mA

Digital Outputs

- Relay output channels 2 groups of 8
- Switching voltage 240VAC; 2A
- Switching voltage 250VDC; 0.3A
- Isolation test voltage 500V_{rms}

Device Address

- Setting range 0 to 15

Environmental Requirements

- Operating temp -25 to +70°C
- Relative humidity (40°C) 5% to 95%
- Vibrations IEC 60255-21
- EMC IEC/EN 61000
- Reliability (GB, 40°C) 7082 FIT



ABB Switzerland Ltd.

Power Electronics
CH-5300 Turgi / Switzerland

Tel: +41 58 589 38 09

Fax: +41 58 589 20 90

E-Mail: pes@ch.abb.com

Internet: www.abb.com/powerelectronics